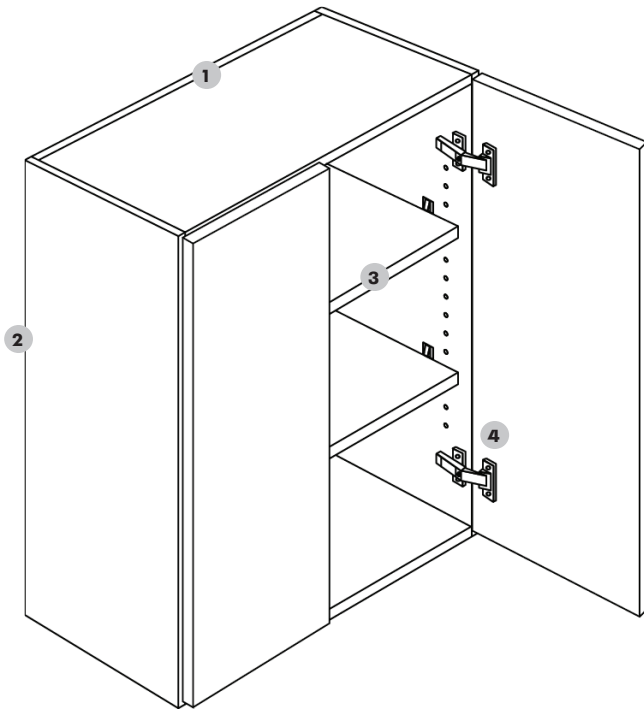
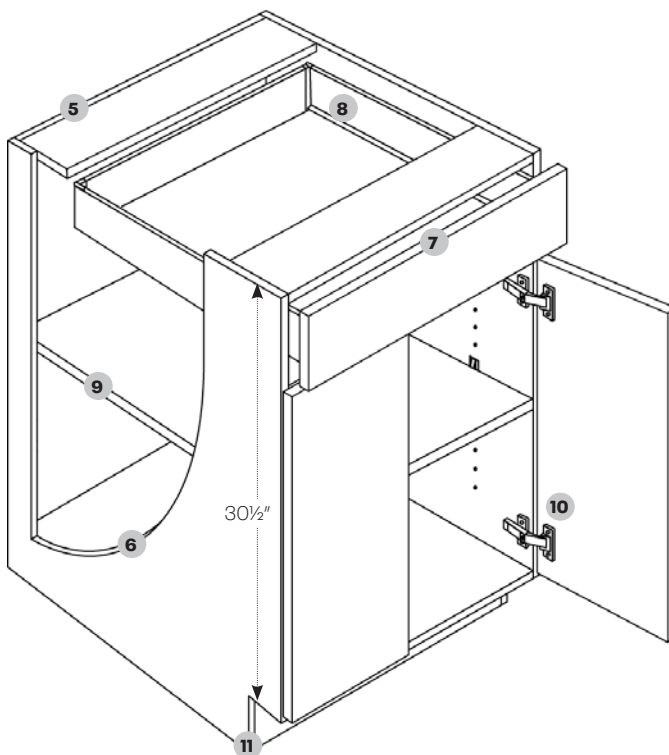


## Classic Collection



- 1 **Back panel** — 1/4" back panel with 3/4" x 4" supporting braces top and bottom, constructed with wood dowels glued and clamped for ensured security.
- 2 **End panel** — 3/4" thick, multi-core plywood sides Constructed with wood dowels glued and clamped for ensured security.
- 3 **Shelves** — 3/4" thick, plywood; fully adjustable
- 4 **Hinges** — Heavy duty steel concealed hinge, adjustable with soft-close mechanism

\*36" and 42" Wall cabinets will have 3 hinges



- 5 **Back panel** — 1/4" back panel with 3/4" x 4" supporting braces top and bottom, constructed with wood dowels glued and clamped.
- 6 **End panel** — 3/4" thick, multi-core plywood sides Constructed with wood dowels glued and clamped.
- 7 **Drawers** — Double wall metal drawer with plywood bottom.
- 8 **Glides** — Full extension glides, with soft closing feature.
- 9 **Shelves** — 3/4" thick, full depth plywood; fully adjustable.
- 10 **Hinges** — Heavy duty steel concealed hinge, adjustable with soft-close mechanism
- 11 **Toe Kick** — 4" Toe kick with 3" inset on all standard base and vanity cabinets. White toe kick is standard.

**Cabinet boxes are white edge banded with white interior and exterior.**

**On diagonal and corner cabinets, matching edgebanding will be applied vertically**

**Classic cabinets are only available assembled.**

**Alvic doors come standard with Blum hinges**