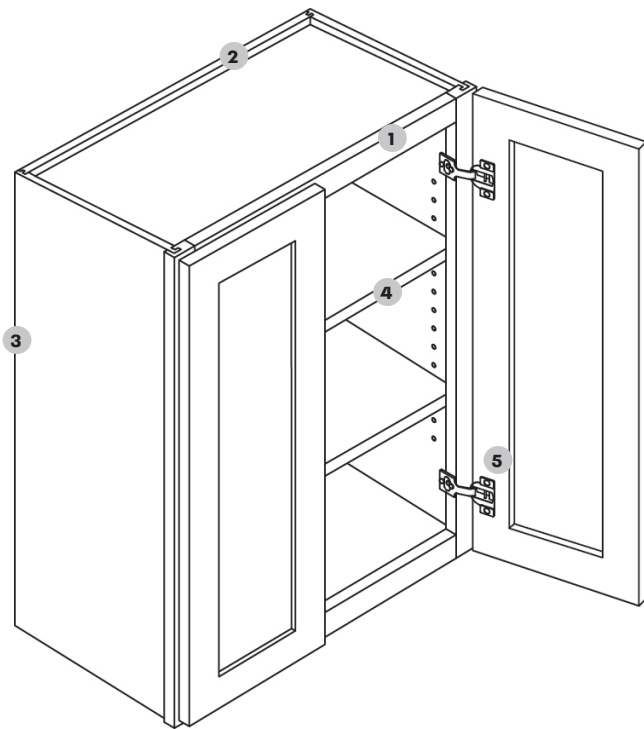
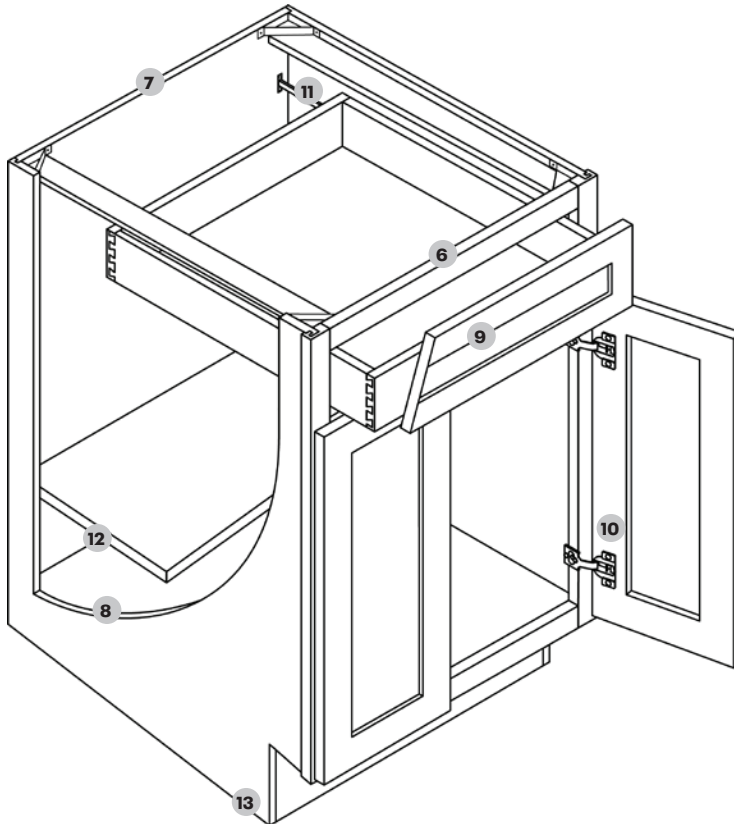


Concord Collection



- 1 **Frame** — $\frac{3}{4}$ " thick, $1\frac{1}{2}$ " wide, kiln-dried solid hardwood. Frame and sides are installed with our interlocking system, which insures easy assembly and inseparable strength
- 2 **Back panel** — Full $\frac{1}{2}$ " plywood back, installed with our interlock system. Screwed to top and bottom. Exterior is finished.
- 3 **End panel** — $\frac{1}{2}$ " Plywood sides. Finished exterior with a natural wood-finish veneer interior.
- 4 **Shelves** — $\frac{3}{4}$ " thick, plywood; fully adjustable.
- 5 **Hinges** — Heavy duty steel concealed hinge, adjustable with soft-close mechanism.

*36" and 42" Wall cabinets will have 3 hinges



- 6 **Base frame** — $\frac{3}{4}$ " thick, $1\frac{1}{2}$ " wide, kiln-dried solid hardwood. Frame and sides are installed with our interlocking system, which insures easy assembly and inseparable strength. Exterior is finished.
- 7 **Back panel** — Full $\frac{1}{2}$ " plywood back, installed with our interlock system. Screwed to top and bottom.
- 8 **End panel** — $\frac{1}{2}$ " Plywood sides. Finished exterior with a natural wood-finish veneer interior.
- 9 **Drawers** — $\frac{3}{4}$ " Solid wood, dovetail construction. With high quality stainless steel full extension under-mount glide. With soft-close safety feature.
- 10 **Hinges** — Heavy duty steel concealed hinge, adjustable with soft-close mechanism.
- 11 **Glides** — High quality stainless steel full extension under-mount glide. With soft-close safety feature.
- 12 **Shelves** — $\frac{3}{4}$ " thick, plywood; fully adjustable. (10" deep)
- 13 **Toe kick** — $4\frac{1}{2}$ " Toe kick with $2\frac{1}{2}$ " inset on all standard base and vanity cabinets.