

MH3220-D9/7R (Reverse Model)
**Premium 18 Gauge 304 Stainless Steel
Double Bowl Undermount Sink**



Model: MH3220-D9/7R

Dimensions

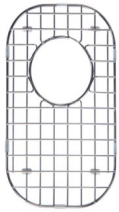
- Overall Size: 31 1/8" x 20 1/2"
- Left Bowl: D10-1/2" x 16" x 7"
- Right Bowl: 17-3/4" x 18-1/2" x 9"D
- Drain Opening: 3 1/2"

Optional Accessories

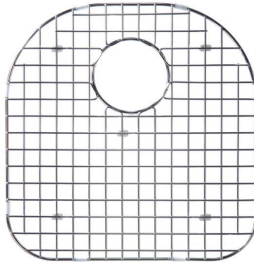
- Left Bowl Sink Grid: BG-19S
- Right Bowl Sink Grid: BG-20S
- Sink Strainer
- Stainless Steel Sink Cleaner

Features

- 18 gauge 304 stainless steel
- Proprietary V-Therm Shield™
- Provides superior sound deadening and thermal retention.
- High luster satin finish
- Stain and corrosion resistant



BG19S GRID
Optional



BG20S GRID
Optional



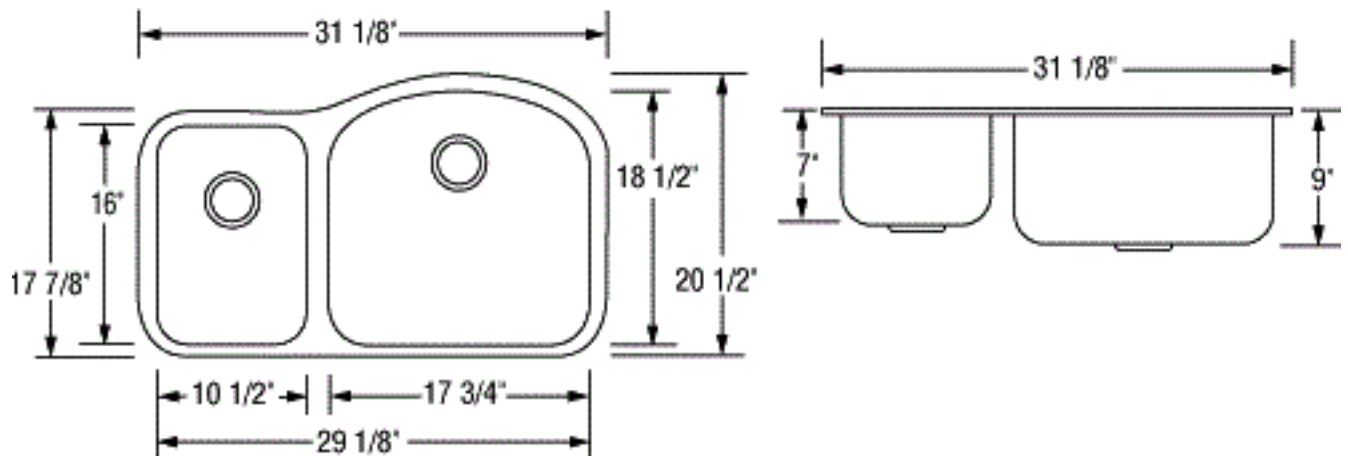
Sink Strainer
Optional



Stainless Steel Sink Cleaner
Optional



Complies with ASME A112.19.3-2000



Product Specification

The undermount sink shall be 31 1/8" in length and 20 1/2" in width. Sink shall be made of 18 gauge stainless steel. Sink shall have brushed finished rim. Sink shall be a double bowl. Sink shall be an Artisan model MH3220-D9/7R.